

Purdue University

**Purdue e-Pubs**

---

Historical Documents of the Purdue  
Cooperative Extension Service

Department of Agricultural Communication

---

1-1-1900

## Repair a Leaking Faucet

Sandra Shank

Follow this and additional works at: <https://docs.lib.purdue.edu/agext>

Simple Home Repairs

---

Shank, Sandra, "Repair a Leaking Faucet" (1900). *Historical Documents of the Purdue Cooperative Extension Service*. Paper 1000.

<https://docs.lib.purdue.edu/agext/1000>

For current publications, please contact the Education Store: <https://mdc.itap.purdue.edu/>

This document is provided for historical reference purposes only and should not be considered to be a practical reference or to contain information reflective of current understanding. For additional information, please contact the Department of Agricultural Communication at Purdue University, College of Agriculture: <http://www.ag.purdue.edu/agcomm>

This document has been made available through Purdue e-Pubs, a service of the Purdue University Libraries. Please contact [epubs@purdue.edu](mailto:epubs@purdue.edu) for additional information.

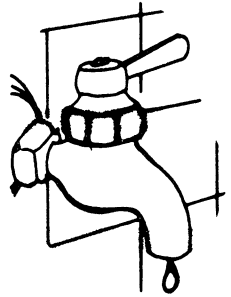
# simple home repairs

Sandra Shank, Extension Specialist, Housing-Home Furnishings

## REPAIR A LEAKING FAUCET

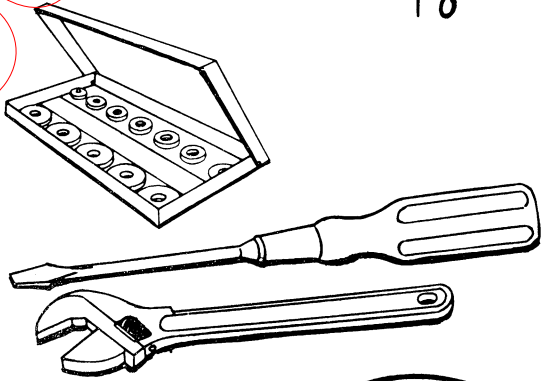
### YOUR PROBLEM:

- Leaking faucets waste water.
- Dripping faucet may cause a spot in the sink.
- Constant dripping is annoying.



### WHAT YOU NEED

- A box of assorted size washers, unless you know the size.
- A screwdriver
- An adjustable wrench.



### HOW-TO

1. First turn off the water at the shut-off valve nearest to the faucet you are going to repair. Then turn on the faucet until the water stops flowing. (Fig. 1)
2. Loosen packing nut with wrench. (Fig. 2) (Most nuts loosen by turning counter-clockwise.) Use the handle to pull out the valve unit. (Fig. 3)

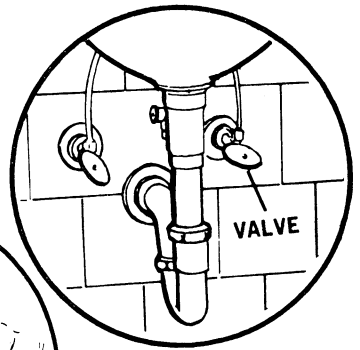


Fig. 1



Fig. 2

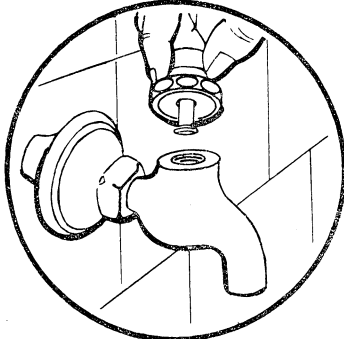


Fig. 3

3. Remove the screw holding the old washer at the bottom of the valve unit. (Fig. 4)
4. Put in new washer and replace screw. (Fig. 5)
5. Put valve unit back in faucet. Turn handle to the proper position.
6. Tighten the packing nut. (Fig. 6)
7. Turn on the water at the shut-off valve.

Faucets may look different, but they are all built about the same. Mixing faucets, which are used on sinks, laundry tubs, and bathtubs are actually two separate units with the same spout. You'll need to repair each unit separately. (Fig. 7)

Is water leaking around the packing nut? Try tightening the nut. If it still leaks, remove the handle and loosen the packing nut. If there is a washer under it, replace the washer. If there's no washer, you may need to wrap the spindle with "packing wicking". (Fig. 8) Then replace packing nut and handle, and turn water back on at the shut-off valve.

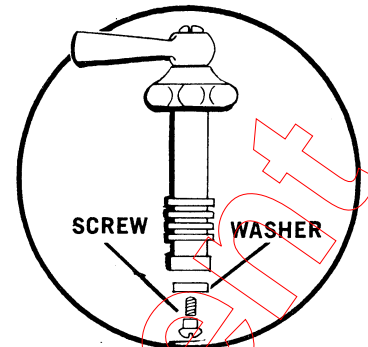


Fig. 4

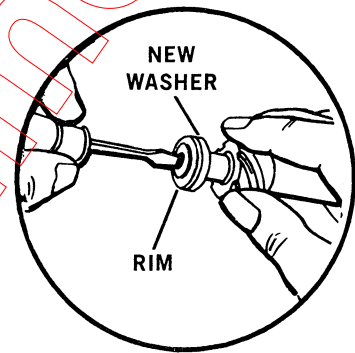


Fig. 5

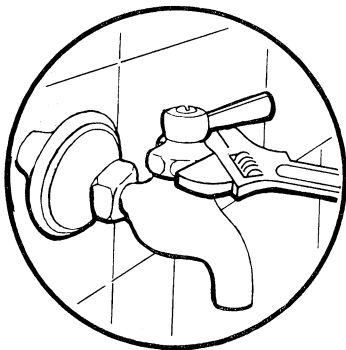


Fig. 6

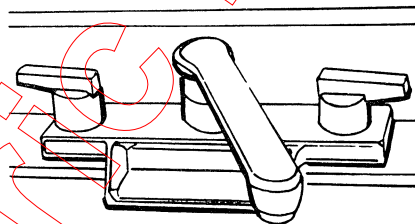


Fig. 7

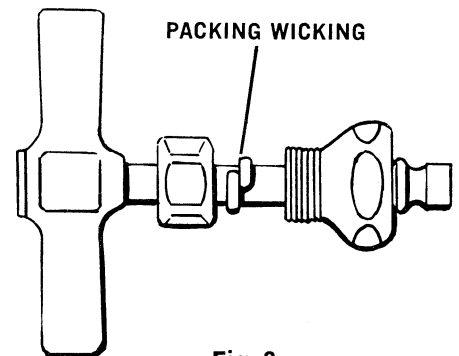


Fig. 8

Cooperative Extension Work in Agriculture and Home Economics, State of Indiana, Purdue University and U. S. Department of Agriculture Cooperating. H. G. Diesslin, Director, West Lafayette, Ind. Issued in furtherance of the Acts of May 8 and June 30, 1914. It is the policy of the Cooperative Extension Service of Purdue University that all persons shall have equal opportunity and access to its programs and facilities without regard to race, religion, color, sex or national origin.