

INDOTS

Newest Addition

Heavy Equipment for Confined Space, Labor Intensive Jobs

MICROTRAXX

MODEL SL 436

Radio Remote Controlled Power for Confined Space



MICROTRAXX

MODEL SL 436

Radio Remote Controlled Power for Confined Space



Machine Specifications

General:

Basic Dimensions	42 in. high, 42 in. wide, 120 in. long.
Basic Unit Weight	4850 lbs.
Lift Capacity	1650 lbs.
Controls	7 function Radio Remote Controls.

Power Unit:

Deutz F4M 1008	30.0 HP, 4 Cylinder Diesel
Fuel Capacity	7.5 Gal. US
Hyd. Oil Capacity	32 Gal. US

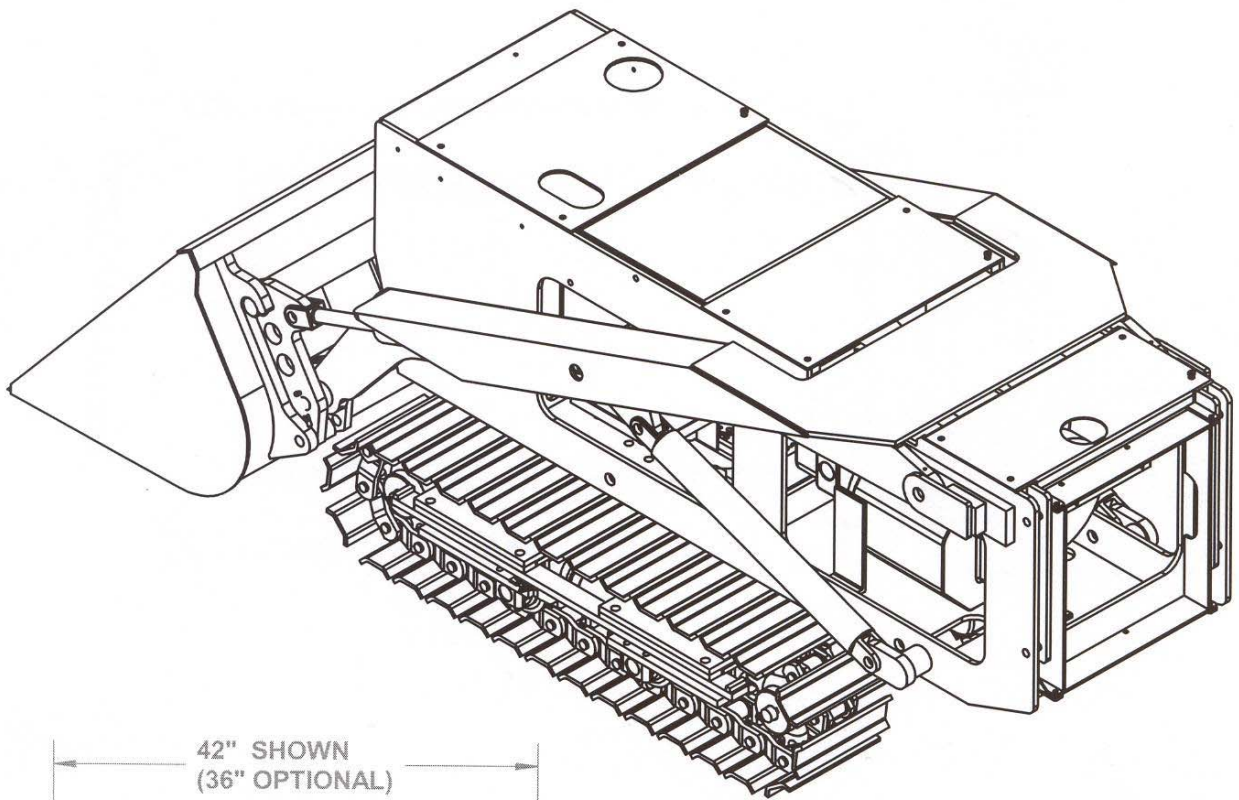
Traction:

Drive Motors	(4) Direct Drive L.S.H.T. Hydraulic Motors
Speed	(2) speed, 80/160 ft/min.
Draw Bar Pull	4350 lbs.
Ground Pressure	7.6 P.S.I. (loaded)

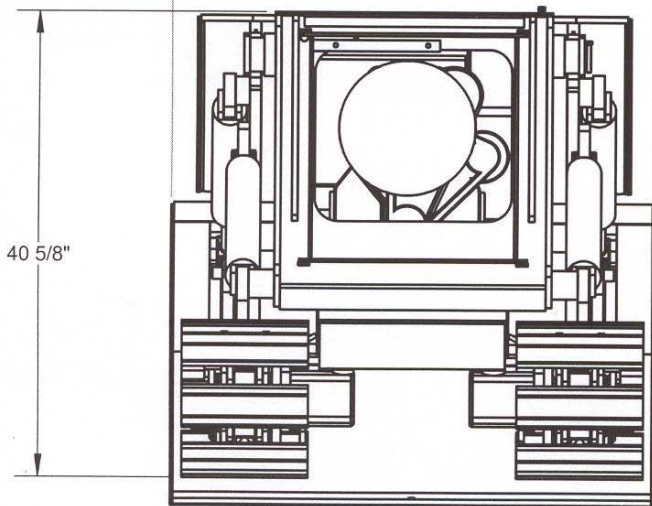
Features:

- 360 degree swing capacity.
- Minimizes Operator Exposure.
- Quick Disconnect System for other attachments.
- Provides safe access to hazardous areas.
- Biodegradable Fluids.

Heavy Duty Equipment in a Small Package



42" SHOWN
(36" OPTIONAL)

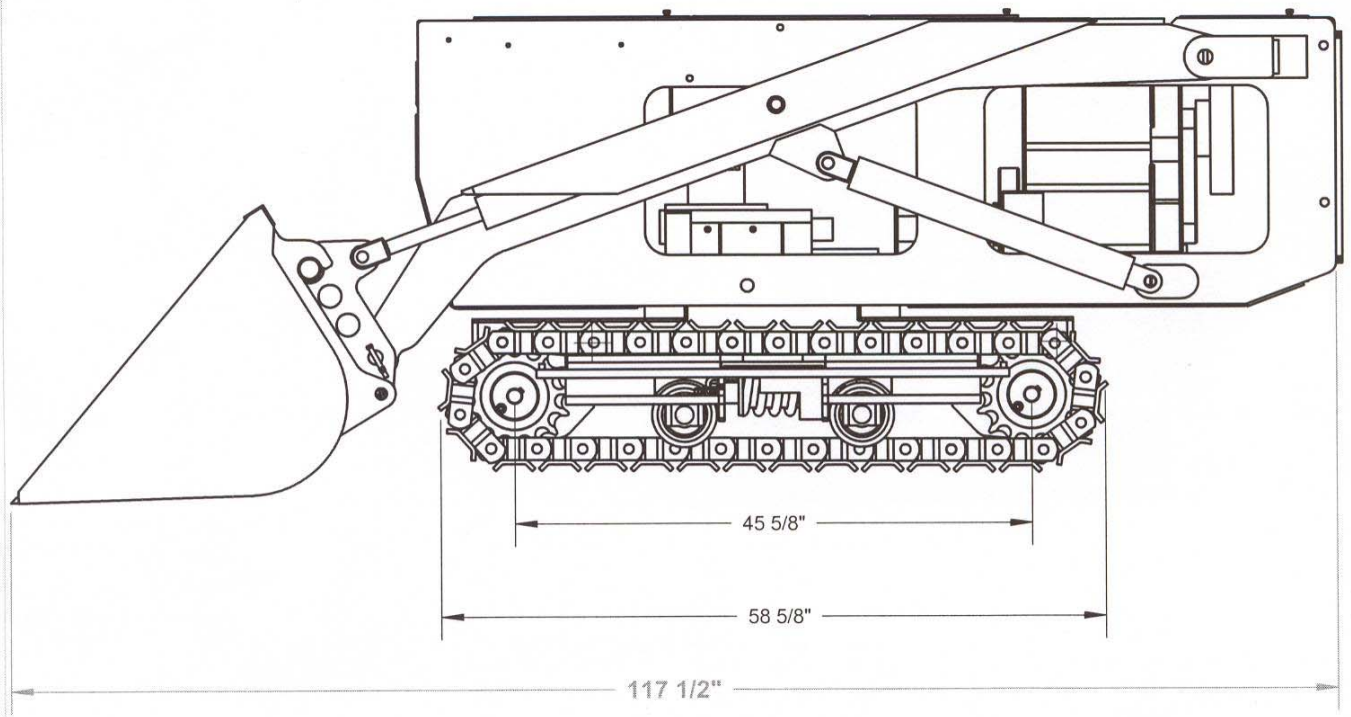
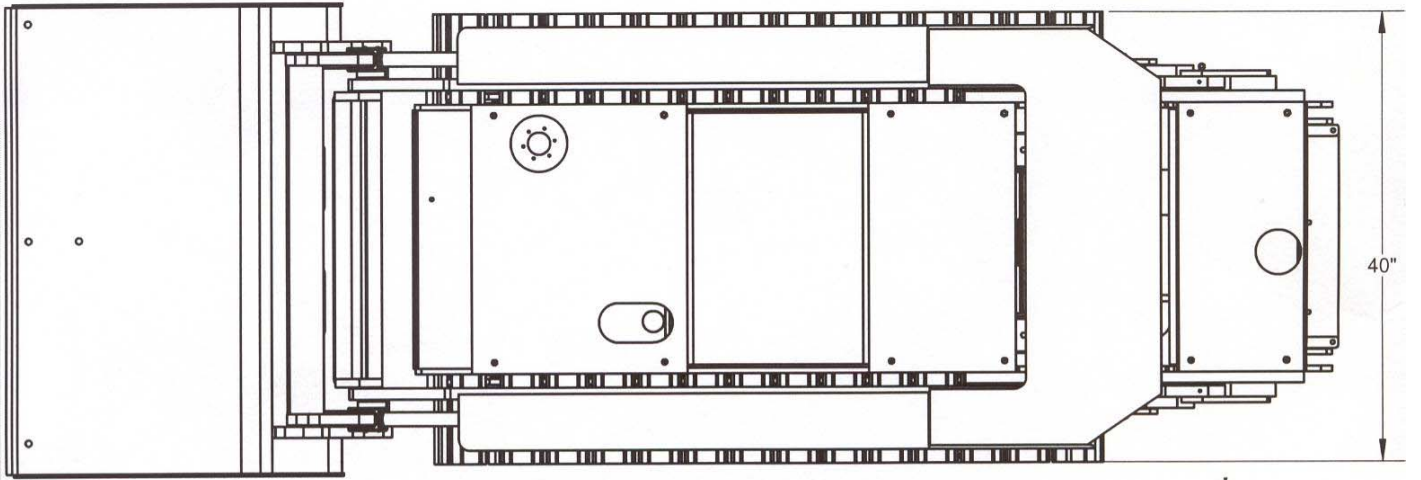


40 5/8"



P.O. Box 335
Mount Storm, WV 26739
ROHMAC, INC.
Phone: (304) 259-2201
Fax: (304) 259-2217

		UNLESS OTHERWISE SPECIFIED DIMENSIONS ARE IN INCHES TOLERANCES ARE: FRACTIONS DECIMALS ANGLES + 1/16 .XX+ .01 + 1 .XXX+.002		CAD GENERATED DRAWING, DO NOT MANUALLY UPDATE	
UPDATED				APPROVALS	DATE
A	RELEASE			DRAWN	
LEVEL	BY	DATE	DESCRIPTION	CHECKED	
REVISION			DO NOT SCALE DRAWING	SCALE	DWG. NO.



Machine Specifications

1. Unit will be a ***MICROTRAXX Model SL 436*** with bucket attachment or NYSTA approved alternative.
2. Unit shall be capable of cleaning culverts and bridges 44 inches or higher.
3. Unit will have necessary manufacture's standard equipment.
4. Unit will be ready for full operation upon delivery.
5. Unit will meet all federal, state, and local laws and regulations.
6. Unit shall be a maximum of 42 inches high.
7. Unit shall be a maximum of 42 inches wide.
8. Unit shall be a maximum of 120 inches long.
9. Unit weight will be minimum of 4700 lbs.
10. Lift Capacity shall be a minimum of 1500 lbs.
11. Controls shall be 2.4 ghz Radio Remote Controls.
12. Swing Capacity shall be 360 degrees.
13. Unit shall be equipped with a Quick Disconnect System so that other attachments may be used.
14. Unit shall be steel tracked.
15. Engine shall be minimum of 3 cylinder diesel.
16. Horsepower shall be a minimum of 23 hp.
17. Fuel capacity shall be minimum of 7.5 gal.
18. Hydraulic Oil capacity shall be minimum of 25 gallons.
19. Drive Motors shall be a minimum of 4 direct drive L.S.H.T Hydraulic Motors.
20. Unit Shall be a minimum of 2 speed.
21. Unit shall be capable of traveling a minimum of 140 feet per minute.
22. Draw Bar Pull shall be a minimum of 4200 lbs.